



产品规格书

PRODUCT SPECIFICATION

客户名称Buyer Name	
客户料号Buyer Part No.	
客户承认签章 Buyers Approval & Signatures	

文件编号Spec No.	S-324101	版本	A/0
品名描述 Product Description	Cylindrical Core SMT Vibration Motor		
型号Part No.	Z43FC1B5640005L		
送样日期Date			
设计Designed by	审核Checked by	批准Approved by	
陳满			
2017.07.11	2017.07.11	2017.07.11	

Jinlong Machinery & Electronics
www.jinlong-machinery.com
sales@jinlong-machinery.com

产品规格书/Specifications	日期/Date : 2017-07-11	
振动马达/Vibration motor: Z43FC1B5640005L	页码/Page : 2 / 18	版本/version:A0

- 目录/List -

1. 封面	1/18
2. 目录	2/18
3. 更改记录/Revision History	3/18
4. 结构形式/Construction Form	4/18
5. 适用范围/Scope of Application	4/18
6. 测试条件/Testing Condition	5/18
7. 贮存环境/Storage Environment	5/18
8. 电气特性/Electrical Characteristics	5/18~6/18
9. 机械特性/Mechanical Characteristics	7/18~8/18
10. 可靠性试验/Reliability Test	9/18~12/18
11. 环保要求/Environment Protections	12/18
12. 注意事项/Caution	12/18~14/18
13. 外形图/Outside View	15/18
14. 结构图及物料清单/Structure Drawing & BOM	16/18
15. 包装要求/Packaging Requirement	17/18
16. 回流老化曲线/Reflow Specification	18/18

产品规格书/Specifications	日期/Date : 2017-07-11	
振动马达/Vibration motor: Z43FC1B5640005L	页码/Page : 3 / 18	版本/version:A0

更改记录/change the record				
版本 Version	编制 Originator	批准 Approval	更改详情 Detail spec changes	日期 Date
A0	童小东	兰德福	初始规格/Preliminary spec	2017-07-11

产品规格书/Specifications	日期/Date : 2017-07-11	
振动马达/Vibration motor: Z43FC1B5640005L	页码/Page : 4 / 18	版本/version:A0

4. 结构形式/Construction Form

This specification sheet is stipulated for vibration motor for mobile phone.

NO.	项目/Item	规格/Specifications
4-1	电机结构 Motor construction	Φ3.2 圆柱形铁芯直流电机 Φ3.2 DC Cored motor
4-2	换向片数 Number of phases	3 组换向片 3-phases
4-3	磁极数 Number of magnet poles	两极 (外置磁极型式) 2-poles (Inner magnet type)
4-4	线圈 Coil construction	铁芯线圈 Iron-cored coil
4-5	整流技术 Rectifying method	采用高精度电刷和换向器 Precious brush and commutator

5. 使用条件/Standard operating condition

NO.	项目/Item	规格/Specifications
5-1	额定电压 Rated voltage	DC1.3V
5-2	使用电压范围 Operating voltage range	DC 1.3~1.6V
5-3	旋转方向 Rotating direction	CW / CCW
5-4	使用温度范围 Operating temperature range	-30℃~+70℃

产品规格书/Specifications	日期/Date : 2017-07-11	
振动马达/Vibration motor: Z43FC1B5640005L	页码/Page : 5 / 18	版本/version:A0

6. 测试条件/Testing condition

NO.	项目/Item	规格/Specifications
6-1	温度 Temperature	20°C ±2
6-2	湿度 Humidity	45% ~85%RH
6-3	电源电压 Power supply, voltage source	直流电源或电池 1.3V DC power supply or battery 1.3V
6-4	马达安放状态 Posture of motor	水平

7. 贮存环境/Storage environment

NO.	项目/Item	规格/Specifications
7-1	贮存温度 Storage temp	-40°C ~+85°C
7-2	相对湿度 Relative humidity	5%~95% (No condensation of moisture/无水 汽凝结)

8. 电气特性/Electrical characteristic

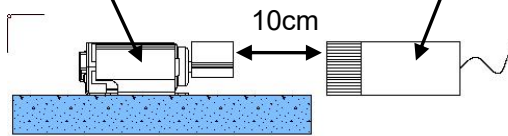
NO.	项目/Item	单位 /Unit	规格/Spec.	条件/Condition
8-1	额定转速 Rated speed	rpm	9000 ±2500	额定电压:DC 1.3V Rated voltage:DC 1.3V
8-2	额定电流 Rated current	mA	110 Max	在额定电压和额定负载下测试 /Measure at rated voltage and rated load
8-3	启动电流 Starting current	mA	130 Max	在额定电压下锁定振动轮, 测电机 电流 (2/3R 极端电阻处, 不在电刷 和整流子两点接触的位置)/Measure current at locked counter weight (R2.3×4.0) in rated voltage(2/3R R:1 extreme resisting rate, Not in the position when the brushes contact the commutator at the two contact points)

产品规格书/Specifications	日期/Date : 2017-07-11	
振动马达/Vibration motor: Z43FC1B5640005L	页码/Page : 6 / 18	版本/version:A0

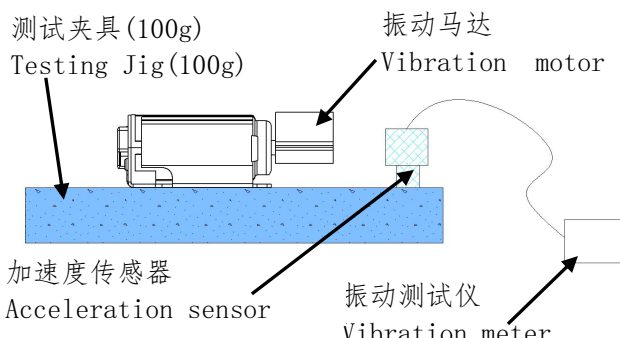
8-4	启动电压 Starting voltage	V	1.1 Max	DC1.1V电压下, 开/关为1个循环, 共3个循环 On/off-1cycle, total 3cycles under DC1.1V
8-5	端子阻抗 Terminal resistance	Ω	单相 1phase: 10.6 ± 4	正极和负极之间 Between positive and negative
8-6	绝缘电阻 Insulation resistance	M Ω	10Min	测量机壳和引线之间。 测试电压直流100V。 Measuring between case and lead wire. Test voltage DC 100V

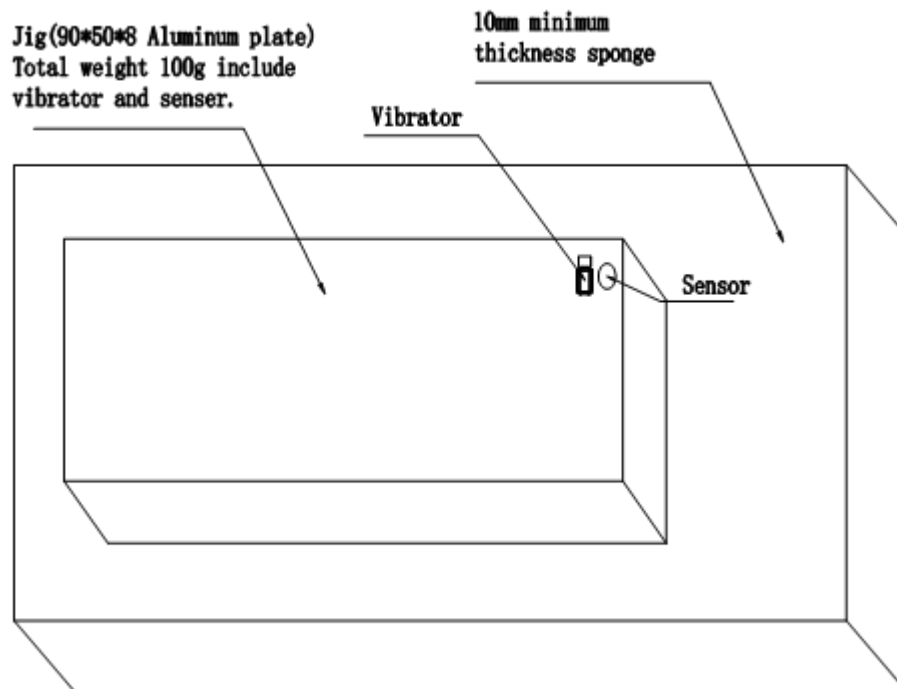
产品规格书/Specifications	日期/Date : 2017-07-11	
振动马达/Vibration motor: Z43FC1B5640005L	页码/Page : 7 / 18	版本/version:A0

9. 机械特性/Mechanical characteristics

NO	项目/Item	单位/Unit	规格/Spec.	条件/Condition
9-1	外观 Appearance	/		目测/Visual
9-2	尺寸 Size	mm	见外形图/See outline of drawing	使用游标卡尺和千分尺测量/Use vernier caliper and micrometer to measure
9-3	马达重量 Motor Weight	g	0.9±0.2g	使用天平测量/Use scale
9-4	机械噪音 Mechanical Noise	dB	50 MAX	<p>振动马达 Vibration motor</p> <p>拾音器 microphone</p>  <p>10cm</p> <p>测试夹具(75g) Testing Jig (75g)</p> <p>马达: 被固定/Motor : be fixed 额定电压:DC 1.3V/Rated voltage : DC 1.3 V 背景噪音: 28dB MAX. Back ground noise: 28dB MAX. 拾音器沿轴向正对电机平面 Microphone faces the plane of motor along the shaft</p>

产品规格书/Specifications	日期/Date : 2017-07-11	
振动马达/Vibration motor: Z43FC1B5640005L	页码/Page : 8 / 18	版本/version:A0

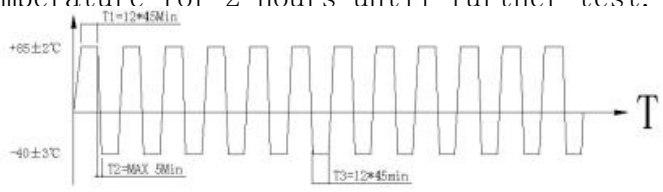
9-5	振动量 Vibration Strength	Gms	0.8 MIN	 <p>测试夹具(100g) Testing Jig(100g)</p> <p>振动马达 Vibration motor</p> <p>加速度传感器 Acceleration sensor</p> <p>振动测试仪 Vibration meter</p> <p>马达: 被固定/Motor: be fixed. 额定电压:DC 1.3V/Rated voltage : DC 1.3V .</p>
		Gp	1.1 MIN	
9-6	响应时间 Responsive Time	ms	65	35ms 达到 50%振感,65ms 达到 100% 振感/ Motor vibration sense reach to 50% within 35ms,and 100% within 65ms.



Simulation Vibration test method

产品规格书/Specifications	日期/Date : 2017-07-11	
振动马达/Vibration motor: Z43FC1B5640005L	页码/Page : 9 / 18	版本/version:A0

10. 可靠性试验/Reliability Test

NO	项目/Item	条件/Condition
10-1	高温贮存试验 High temperature storage test	在+80℃的环境下放置96小时，然后在常温常湿下恢复4小时后测试。 Exposed at +80℃ for 96hours, then return to normal temperature and humidity for 4 hours before test.
10-2	低温贮存试验 Low temperature storage test	在-40℃的环境下放置96小时，然后在常温常湿下恢复4小时后测试。 Exposed at -40℃ for 96hours, then return to normal temperature and humidity for 4 hours before test.
10-3	湿热试验 Humidity test	在温度-40℃，湿度90%的环境下放置48小时，然后在常态下放置4小时后测试。/Expose the motor under the environment of -40℃,90%HR for 48 hours,then place the motor at normal temperature for 4 hours until further test.
10-4	高低温试验 Heat cycle test	<p>确保电机在下图所示的条件下放置12个周期(马达表面避免有水汽凝结)，然后在室温下恢复2小时后，进行测试。/Assure the motor be placed under below testing conditions for 12 cycles (no condensation of moisture is allowed on the surface of motor), then put the motor at normal temperature for 2 hours until further test.</p> 
10-5	振动试验 Vibration test	<p>将马达固定在100g的塑料夹具上，按以下要求进行试验：</p> <ol style="list-style-type: none"> 1) 振频范围: 10-55Hz 2) 全振幅1.5mm 3) 振频变化10-55-10 约10分钟 4) 振动方向: 三个垂直方向 5) 持续时间: 每个方向10分钟 (共30分钟) <p>Fix the motor on a 100g jig (plastic housing), and then make test according to below requirements:</p> <ol style="list-style-type: none"> 1) Vibration frequency range: 10~55Hz 2) Total amplitude: 1.5mm 3) Sweep ratio: 10~55~10Hz approximate 10min 4) Direction of vibration: Three perpendicular directions 5) Duration: 10min(30min in total)

产品规格书/Specifications	日期/Date : 2017-07-11	
振动马达/Vibration motor: Z43FC1B5640005L	页码/Page : 10 / 18	版本/version:A0

10-6	跌落试验 Drop test	<p>将马达电机放在大约60g（包括电机）重的物体上，从1.5米的高度跌落到20mm厚的硬木板上，跌落18次。/Set the motor to a fixture of approx. 60g(include the motor) and drop it freely from the height of 1.5 meters to the hard wood board of 20mm thick, repeat dropping for 18 times.</p> <p>高度/Height: 1.5m 方向/Direction: $\pm X$, $\pm Y$, $\pm Z$</p> <p>次数/Times: 每一平面下落3次，共计18次/Three drops per plane for a total of 18 drops.</p>
10-7	盐雾试验 Salt spray test	<p>电机放置盐雾试验箱，试验箱内湿度35%，盐溶液浓度$5 \pm 1\%$；PH值为6.5-7.2；盐雾沉降量为1-2ml/80cm；浓度为5%的中性盐溶液中24小时。持续期满，清洗试验样品表面，用干净的棉布擦拭后进行检测，要求马达外观、振动功能良好，表面无腐蚀现象。</p> <p>Put the motor in the salt spray test box for 24 hours, the humidity in the test case should be 35%, concentration of salt solution be $5 \pm 1\%$, PH value be 6.5-7.2, the precipitation of salt fog be 1-2ml/80cm, and the neutral salt solution should be with a concentration of 5%. At the end of the period, clean the surface of the tested sample, and then do further test once wiped with a clean cotton cloth. The appearance and vibrating function of the motor are required to be in good condition, and the surface should be free of corrosion.</p>

► 判定标准/Judgment standard

① 试验后，测试数据必须符合以下规格：

After test, measured data must be satisfied as following specifications;

- 启动电压: DC1.1V MAX.
- Starting voltage: DC1.1V MAX.
- 额定转速: 变化率在初始值的+30%~-20%以内。
- Rated speed: changing rate must be within +30%~-20% of initial value.
- 额定电流: 变化率在初始值的+20%~-30%以内。
- Rated current: changing rate must be within +20%~-30% of initial value.
- 端子阻抗: 变化率在初始值的 $\pm 15\%$ 以内。
- Terminal resistance: changing rate must be within $\pm 15\%$ of initial value.

② 外形结构无异常.

There should be no abnormalities in appearance and structure.

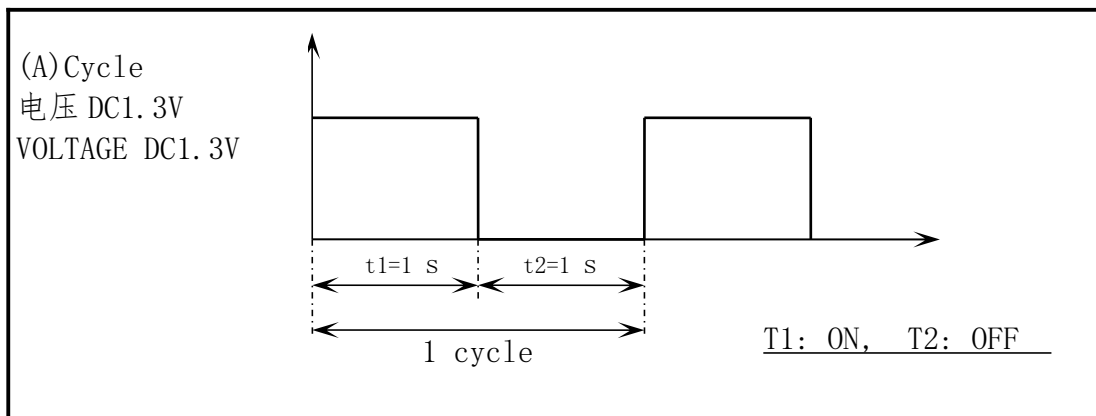
产品规格书/Specifications	日期/Date : 2017-07-11	
振动马达/Vibration motor: Z43FC1B5640005L	页码/Page : 11 / 18	版本/version:A0

10.1 寿命试验/Life test

输入 1.3V 电压/Input voltage 1.3V.

带负载重量 (R2.3, t4.0 大约 0.45g) /Load counter weight (R2.3, t4.0 appx0.45g).

NO	项目/Item	条件/Condition
10-1	常温寿命试验/Room Temperature Life Test	放置在室温25℃, 50%RH的湿度条件下/ Exposure at room temperature of 25℃, and humidity of 50%RH.
10-2	高温寿命试验/High temperature Exposure Life Test	放置在高温55℃的条件下/Exposure at high temperature of 55℃.
10-3	低温寿命试验 /Low temperature Exposure Life Test	放置在高温-20℃的条件下/Exposure at low temperature of -20℃.



10.1-1-1 常温寿命试验/Room Temperature Life Test

1. 按A周期运行96小时/To maintain (A) cycle for 96hrs in the process of temperature shock.

10.1-2-1 高温寿命试验/High temperature Exposure Life test

1. 按A周期运行48小时/To maintain(A) cycle under high temperature for 48hrs.

10.1-3-1 低温寿命试验/Low temperature Exposure Life test

1. 按A周期运行48小时/To maintain(A) cycle under high temperature for 48hrs.

产品规格书/Specifications	日期/Date : 2017-07-11	
振动马达/Vibration motor: Z43FC1B5640005L	页码/Page : 12 / 18	版本/version:A0

▶ 判定标准/Judgment standard

② 试验后，测试数据必须符合以下规格：

After test, measured data must be satisfied as following specifications;

- 启动电压: DC1.1V MAX.
- Starting voltage: DC1.1V MAX.
- 额定转速: 变化率在初始值的+30%~-20%以内。
- Rated speed: changing rate must be within +30%~-20% of initial value.
- 额定电流: 变化率在初始值的+20%~-30%以内。
- Rated current: changing rate must be within +20%~-30% of initial value.

11. 环保要求/Environment Protections

本产品所有零部件符合欧盟RoHS2.0/无卤/REACH指令要求，具体环境有害物质管控限制如下：

This product conforms to the EU ROHS2.0, halogen-free and REACH certification, Specific content as follows:

- 铅及其化合物最大允许含量为1000ppm/Lead and Lead compounds \leq 1000ppm
- 镉及其化合物最大允许含量为1000ppm/Cadmium and cadmium compounds \leq 1000ppm
- 汞及其化合物最大允许含量为1000ppm/Mercury and Mercury compounds \leq 1000ppm
- 六价铬化物最大允许含量为1000ppm/Hexavalent chromium compounds \leq 1000ppm
- 多溴联苯(PBB)最大允许含量为1000ppm/Polybrominated biphenylethers \leq 1000ppm
- 多溴联苯醚(PBDE)最大允许含量为1000ppm/Polybrominated diphenylethers \leq 1000ppm
- 邻苯二甲酸二正丁酯(DBP)最大允许含量为1000ppm /DBP \leq 1000ppm
- 邻苯二甲酸正丁基苄酯(BBP)最大允许含量为1000ppm/BBP \leq 1000ppm
- 邻苯二甲酸(2-己基)己酯(DEHP)最大允许含量为1000ppm/DEHP \leq 1000ppm
- 六溴环十二烷(HBCDD)最大允许含量为1000ppm/HBCDD \leq 1000ppm
- 溴Br最大允许含量为900ppm/Br \leq 900ppm
- 氯Cl最大允许含量为900ppm/Cl \leq 900ppm
- 溴加氯之和最大允许含量为1500ppm/Br+Cl \leq 1500ppm
- REACH指令按最新法规内容管控执行
- 包装材料环保管控要求: Pb, Cd, Hg, Cr+6 : 4种物质总和 $<$ 100ppm (其中, Cd $<$ 50ppm)。

12. 注意事项/CAUTION FOR USE

(1) 该马达是微型精密产品，在运输过程中不要承受超过0.5 kgf的力，否则会引起外形或性能的变化。

As this motor is small and precise, do not press it over 0.5kgf force or while transportation, otherwise it will cause the transformation of performance or external appearance.

(2) 请注意马达不要接触到液体性物质（比如：水，酒精等）

Please keep the motor away from liquid substance (such as water, alcohol, etc.)

产品规格书/Specifications	日期/Date : 2017-07-11	
振动马达/Vibration motor: Z43FC1B5640005L	页码/Page : 13 / 18	版本/version:A0

(3) 不要在高温下长时间放置，否则有可能导致电机的性能下降。

Do not expose the motor to high temperature for a long time, it may cause a decline in performance.

(4) 马达不要在以下环境中使用：

- 高温和高湿的场所
- 腐蚀性气体如H₂S、SO₂、NO₂等

Avoid using the motor in the following environment.

- High temperature and high humidity area.
- Corrosive gas such as H₂S、SO₂、NO₂ etc.

(5) 请不要在靠近磁铁或带有磁场的仪器旁边使用或存放马达。

Please do not operate or store the motor adjacent to magnet or apparatus which has a magnetic field.

(6) 请注意机壳的表面存在漏磁通量。

Please be careful that there exists a leaking magnetic flux on the surface of bracket.

(7) 电刷和换向器的相互作用，有可能产生轻微的电噪音。

Due to interaction between brush and commutator, there is a possibility to occur electrical noise slightly.

(8) 因测试设备有误差，允许有±5%偏差。

Due to the measurement equipment error, there is a ± 5 % difference tolerance.

(9) 接电端子扭曲、折弯次数不可多于2次。

Current terminals should not be twisted or bent more than twice.

产品规格书/Specifications	日期/Date : 2017-07-11	
振动马达/Vibration motor: Z43FC1B5640005L	页码/Page : 14 / 18	版本/version:A0

(11) 被焊锡的端子局部受压不可多于2次。

The portion when lead wire and terminal are soldered should not be under stressed more than twice.

(12) 在马达通电时，不宜长时间锁住不转。

Do not subject the motor under locked condition for long hours.

(13) 不可向马达一侧强行挤压接电端子。

Do not exert pressure by pushing the current terminals towards the direction of the internal motor.

(14) 马达通过ROHS认证

This motor pass the system of ROHS certification.

(15)

出厂检验报告附上 35 只马达特性数据和 CPK 值,其中包括:

负载转速: rpm

负载电流: mA

堵转电流 (启动电流): mA

启动电压: 不考虑 CPK 值

Out-going test data and Cpk data will be attached (n-35) for
Loaded rotation r.p.m.

Loaded current mA

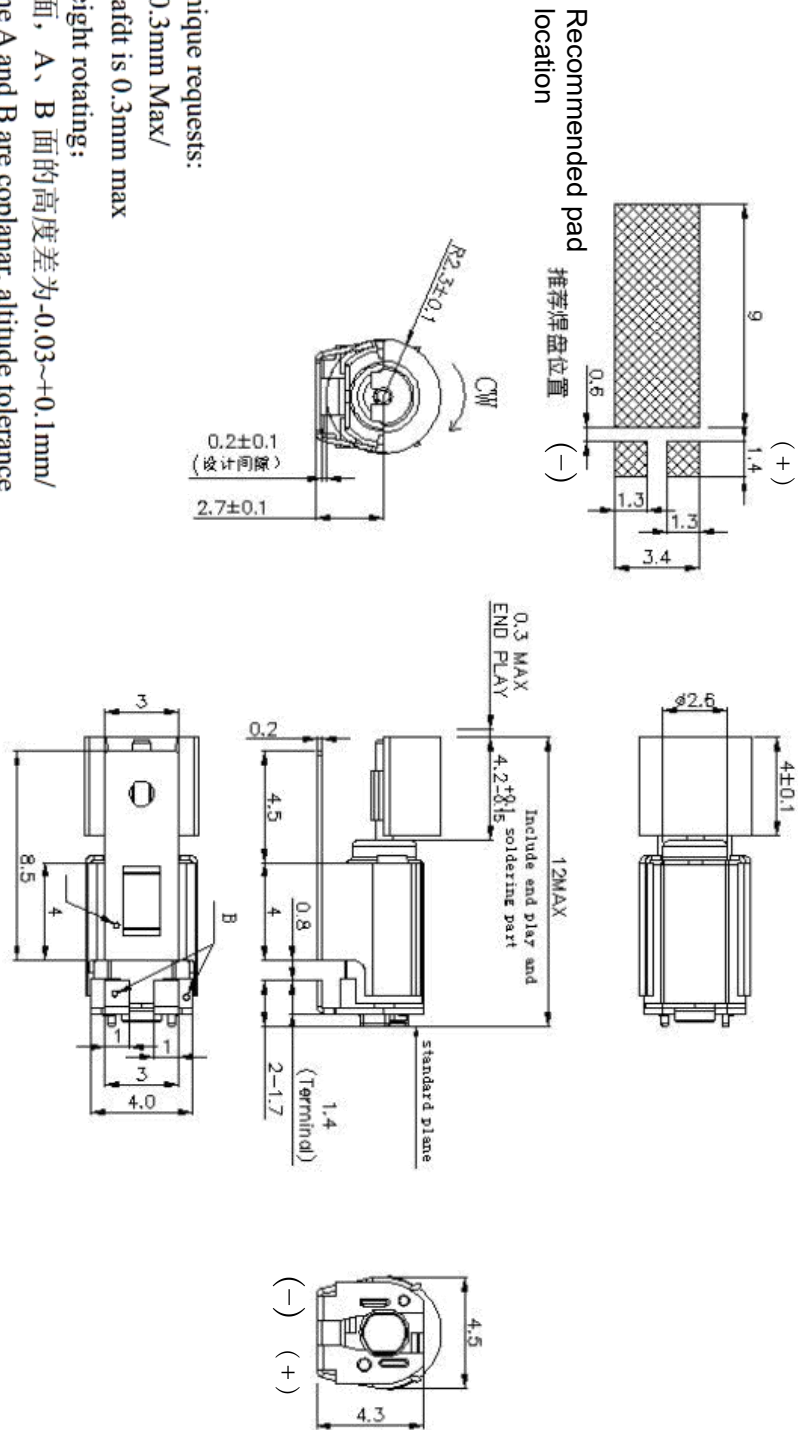
Lock current (Starting current) mA

Starting voltage V (without the consideration of Cpk value) .

产品规格书/Specifications	日期/Date : 2017-07-11	
振动马达/Vibration motor: Z43FC1B5640005L	页码/Page : 15 / 18	版本/version:A0

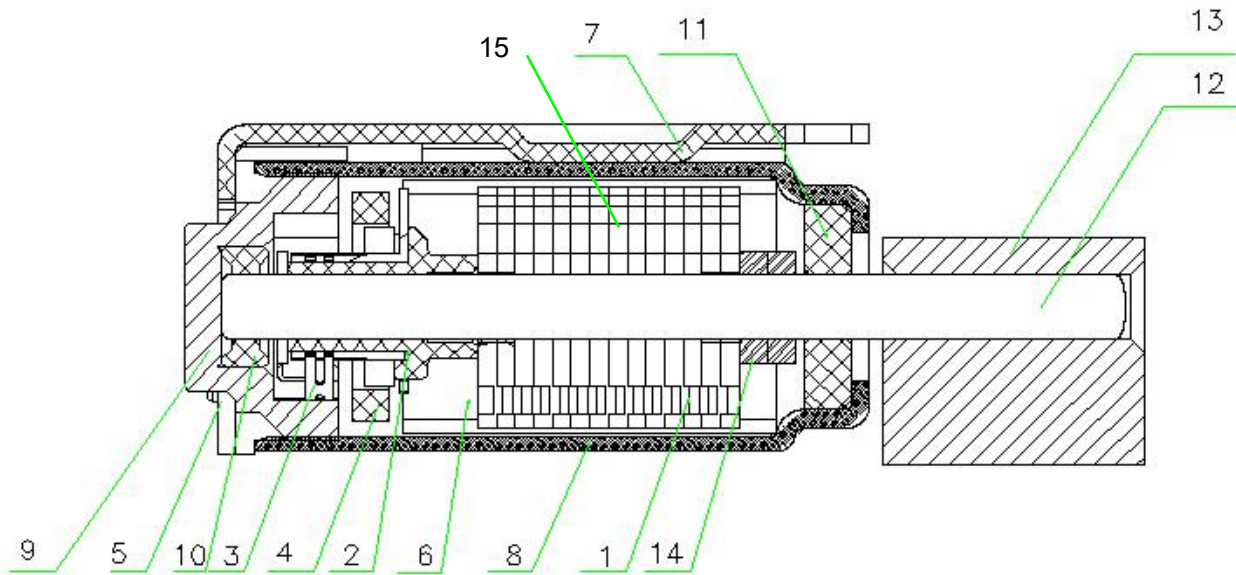
13. 外形图/Outside view

技术要求/Technique requests:
 1.电机轴向间隙0.3mm Max/
 Axial play of shaft is 0.3mm max
 when counterweight rotating;
 2.A面、B面共面，A、B面的高度差为-0.03~+0.1mm/
 Coplanarity Plane A and B are coplanar, altitude tolerance
 of plane of A with B is -0.03~+0.1。



产品规格书/Specifications	日期/Date : 2017-07-11	
振动马达/Vibration motor: Z43FC1B5640005L	页码/Page : 16 / 18	版本/version:A0

14. 结构图及物料清单/Structure drawing & BOM

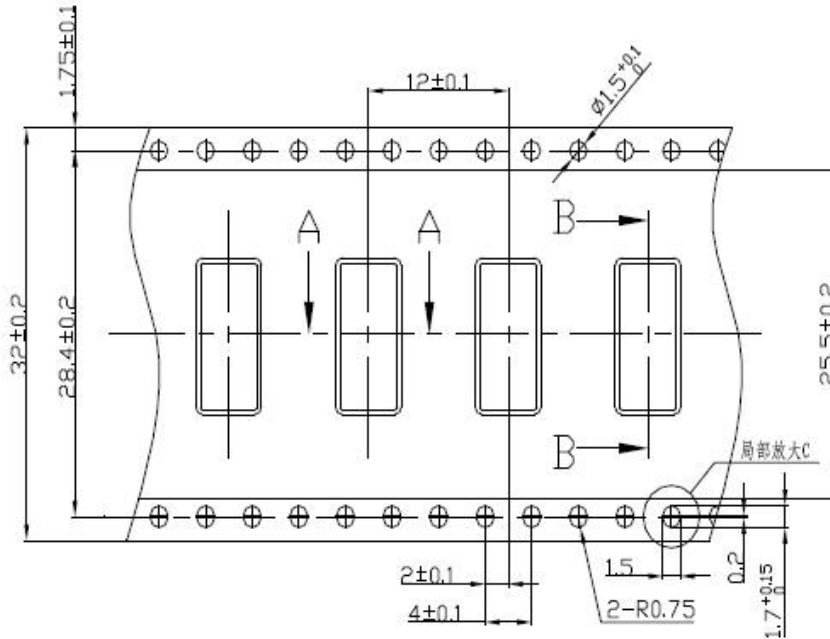


NO.	部件名称/Part name	材料名称/Material name
1	涂装铁芯/Iron core	20HTH1500
2	整流子/Commutator slice	SP-2/MX215/LCP
3	电刷/Brush	SP-1/MX96
4	变阻/Varistor	钛酸锶/SrTiO3
5	焊锡端子/Terminal	黄磷铜/Yellow phosphorus copper
6	磁钢/Magnet	钕铁硼/NdFeB
7	支架/Bracket	SUS301
8	机壳/Case	SPCC
9	基板/Brush board	PA46
10	外壳轴承/Bearing	铜铁基/Cu
11	基板轴承/bearing	铜铁基/Cu
12	钢轴/Shaft	DSR7B
13	分铜/Counterweight	钨合金/Tungsten alloy
14	套管/Casing	PA46
15	漆包线/Enamel Covered wire	铜线/Cu

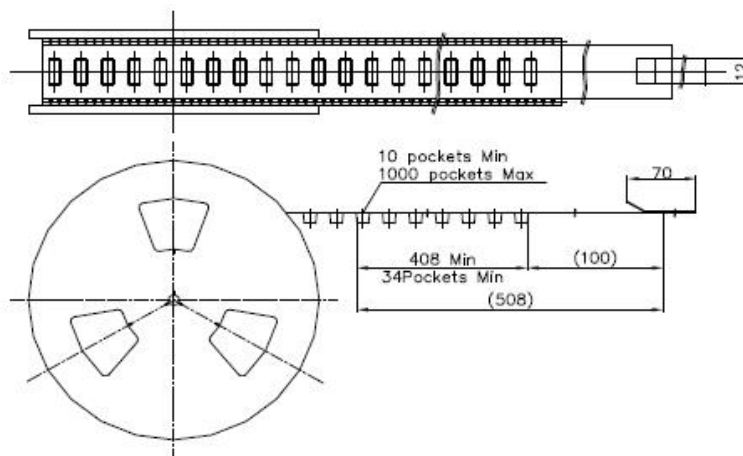
产品规格书/Specifications	日期/Date : 2017-07-11	
振动马达/Vibration motor: Z43FC1B5640005L	页码/Page : 17 / 18	版本/version:A0

15. 包装要求/Packaging requirement

15.1 最小包装/Smallest Packing

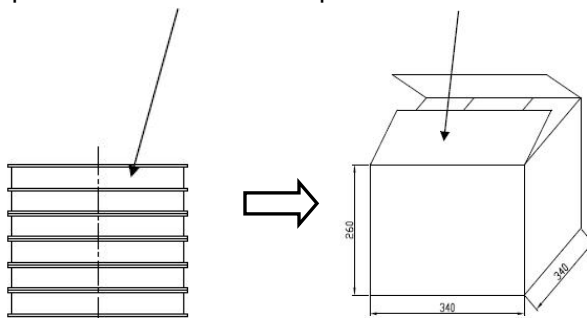


15.2 卷轴包装/1 reel packing dimension



15.3 最终包装/Final Packing Condition

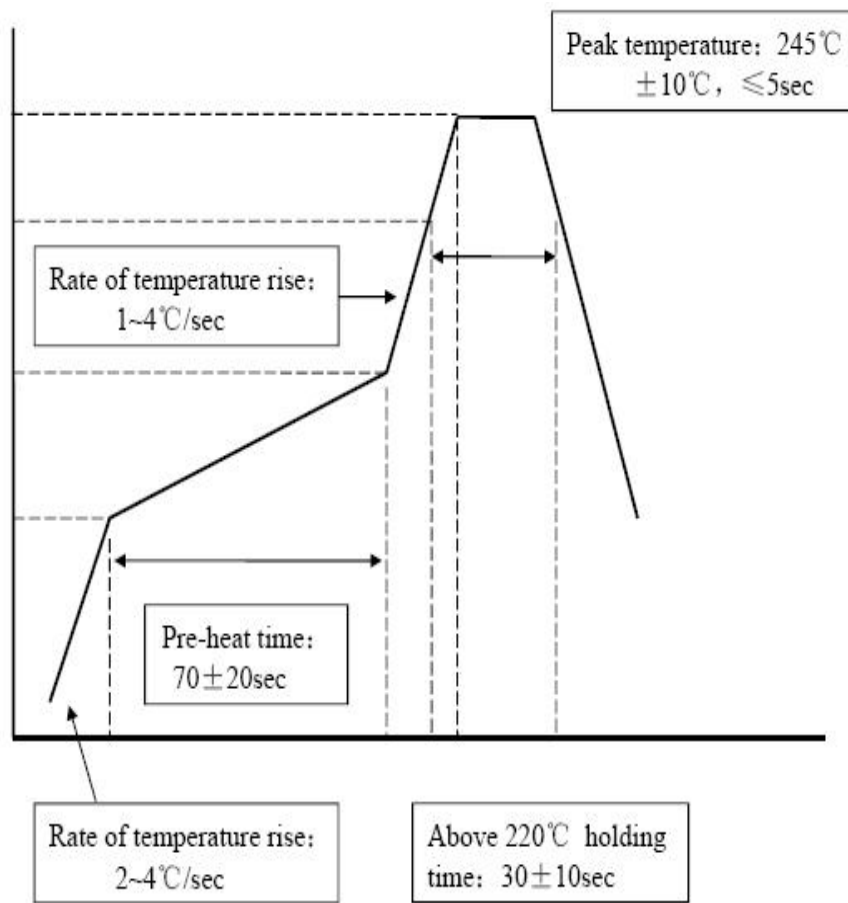
双层波纹纸/Double wall corrugated carboard (internal dimension)
1000pcs/1 reel x 5reel = 5000pcs



5 个内箱装入外箱，数量共 5000 只；
Put 5 inner-box into outer-box, total 5000 Pcs.
外箱尺寸：(长 340mm
宽：340mm 高：260mm)

产品规格书/Specifications	日期/Date : 2017-07-11	
振动马达/Vibration motor: Z43FC1B5640005L	页码/Page : 18 / 18	版本/version:A0

16. 生产过程中回流老化后检查/The inspection after reflow is implemented in product process.



Peak temperature maximum 245°C/5sec.